



KEMENTERIAN PENDIDIKAN, KEBUDAYAAN, RISET DAN TEKNOLOGI  
UNIVERSITAS PEMBANGUNAN NASIONAL "VETERAN" JAWA TIMUR

**UPT TEKNOLOGI INFORMASI DAN KOMUNIKASI**

Jl. Raya Rungkut Madya Gunung Anyar Surabaya Telp.(031) 8793589  
Laman: <http://upttik.upnjatim.ac.id>, Email: [upttik@upnjatim.ac.id](mailto:upttik@upnjatim.ac.id)

**SURAT KETERANGAN**  
**HASIL PEMERIKSAAN TINGKAT PLAGIARISME**  
**Nomor : 245/UN63/UPTTIK/VII/2022**

Yang bertanda-tangan di bawah ini,

Nama : Mohamad Irwan Afandi, ST, M.Sc.

NI P3K : 197607182021211003

Jabatan : Kepala UPT TIK – UPN "Veteran" Jawa Timur

dengan ini menerangkan bahwa Penulis telah melakukan pemeriksaan tingkat kesamaan (plagiarisme) menggunakan *software Turnitin* secara mandiri terhadap dokumen dalam daftar di bawah ini:

Judul Karya Tulis : The Process of Activated Carbon from Coconut Shells Through Chemical Activation

Jenis Publikasi : Jurnal

Penulis : NOVE KARTIKA ERLIYANTI , ST., MT.

Tingkat Kesamaan (%) : 18%

Demikian Surat Keterangan ini dibuat dengan sebenarnya, agar dapat digunakan sebagaimana mestinya.

Surabaya, 18 Juli 2022

Kepala UPT TIK

Mohamad Irwan Afandi, ST, MSc.

NI P3K 197607182021211003

# 18. The Process of Activated Carbon from Coconut Shells Through Chemical Activation

*by Nove Kartika Erliyanti*

---

**Submission date:** 21-Apr-2021 09:05AM (UTC+0700)

**Submission ID:** 1565219779

**File name:** ed\_Carbon\_from\_Coconut\_Shells\_Through\_Chemical\_Activation\_S4.pdf (532.51K)

**Word count:** 3810

**Character count:** 20496

## Review article

# The Process of Activated Carbon from Coconut Shells Through Chemical Activation

Erwan Adi Saputro\*, Varadila Dwi Retno Wulan, Bellani Yunfa Winata, Rachmad Ramadhan Yogaswara, Nove Kartika Erliyanti

Chemical Engineering Department, Faculty of Engineering, <sup>22</sup>University of Pembangunan Nasional "Veteran" Jawa Timur, Jalan Raya Rungkut Madya, Gunung Anyar Surabaya

**Keywords:** Activated Carbon, Coconut shell, pyrolysis, activator.

Article history:  
Received 18 March 2020  
Accepted 23 April 2020  
Published 29 April 2020

Corresponding Author :  
[erwanadi.tk@upnjatim.ac.id](mailto:erwanadi.tk@upnjatim.ac.id)

### Abstract

Carbon or charcoal can be made from biomass or cellulose-containing materials such as coconut shells or candlenut shells using a thermal process. One of the thermal process is pyrolysis, which in this process, the material is converted to carbon. The results of pyrolysis are in the form of three types of products namely solids (charcoal / carbon), gas (fuel gas) and liquid (bio-oil). Other products are gases such as carbon dioxide (CO<sub>2</sub>), methane (CH<sub>4</sub>) and some gases that have small contents. In general, the pyrolysis process takes place at temperatures above 300 ° C within 4-7 hours. Carbonized carbon or pyrolysis does not have a large adsorption capacity because the pore structure does not develop, so it is need activation process. One way to activate carbon is chemical activation. There is a need to know the best material for activating carbon through chemical process. This article aims to discuss the advantages and disadvantages of various types of chemical activation and to determine the promising chemical for activation. From various methods of chemical activation, the activator that promises to make activated carbon is Phosphoric Acid (H<sub>3</sub>PO<sub>4</sub>) because it can produce activated carbon which has a maximum micropore at operating conditions <450°C with a weight percent ratio between activator and sample around 29 - 52%.

### INTRODUCTION

Coconut is a multi-benefit plant that is quite familiar to most Indonesians. This plant is used almost all parts by human, so it is considered a multipurpose plant. Coconut (*Cocos nucifera*) is widely grown in most of the island and reaches a height of 30 m. Utilization of coconuts for various daily food needs as well as for agriculture-industrial commodities, leaving waste in the form of shell or coconut shell (Eskak, 2015).

The need for activated carbon is increasing due to its applications, such as for industries and various human aids. <sup>10</sup>Industrial area, activated carbon can be used for <sup>10</sup>drug industry, food, beverages, water

treatment (water purification) and others. Nearly 70% of activated carbon products are used for refining in the coconut oil, pharmaceutical and chemical sectors. Raw materials that can be made into activated carbon are all that contain carbon, both derived from plants, animals or mine carbon. These materials are various types of wood, rice husks, animal bones, coal, coconut shells, coffee bean skins. When compared these materials, coconut shell is the best material that can be made into activated carbon as they have a lot of micropores, low ash content, high water solubility and high reactivity (Pambayun *et al.*, 2013).

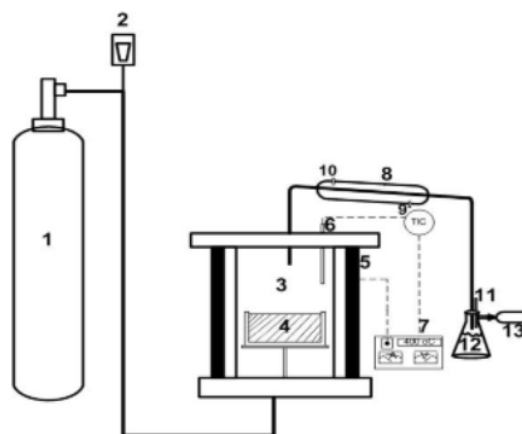
The effectiveness of activated carbon from various types of high carbon content mostly depends on the activation process. The activator can expand the surface of carbon by opening closed pores so that the adsorption power is increase. Activated carbon is composed of amorphous particles resulting in a complex arrangement of irregular shapes and interconnected with pores or surface area between the particles, both surface sizes of 300 - 2000 m<sup>2</sup>/g or those with sizes of more than 2000 m<sup>2</sup>/g. (Sani, 2011). Therefore, it is important to know the best activator when activating the carbon. This review paper will discuss and explain the benefit and drawback of the method for activating carbon through chemical process.

### PROCESSING OF CARBONIZATION

Carbon is a porous solid material that is the result of combustion of materials containing carbon elements, while activated carbon is carbon that is activated by immersion in chemicals or by flowing hot steam into the material, so that the pore material becomes more open with a surface area ranging between 300 to 2000 m<sup>2</sup>/g. The adsorption properties are selective, depending on the size or volume of the pores and surface area. Absorption of activated carbon is enormous, which is 25-100% of the weight of activated carbon. Carbon or charcoal can be made from biomass or cellulose-containing materials such as coconut shells or candlenut shells using a thermal process called pyrolysis, where crushed material becomes smaller and burned to produce carbon.

Some technological equipment regarding pyrolysis reactors with differences configuration has been proposed, designed, and tested. Erliyanti *et al.*, (2015) have designed and tested a pyrolysis reactor adapted from several report (Leung *et al.*, 2002; Pantea *et al.*, 2003). The reactor is a semi batch reactor where the temperature and heating rate can be controlled and carried out at 900°C. The pyrolysis reactor is shown in Figure 1.

Pyrolysis reactor consists of main components and supporting components. The pyrolysis reactor is equipped with a PID controller. The main component of a pyrolysis reactor is an unstirred semi batch reactor (1.150L) made of stainless steel (3). The supporting components are nitrogen tube (1), gas flow-meter (2), sample place (4), electrical heater (5), thermocouple (6), controlling instrument (7), condenser (8), cooler water inlet (9), warm water outlet (10), thermometer (11), liquid cross-section (12), and gass cross-section (13).



**Figure 1.** Semi batch pyrolysis reactor (Adapted from reference Erliyanti, *et al.*, 2015)

Pyrolysis is a process of decomposition of a material at high temperatures without the presence of air or with limited air. The thermal decomposition process in pyrolysis is also often referred to as devolatilization. Pyrolysis, also termed thermal distillation or can be called thermolysis is a chemical decomposition process by using heating without the presence of oxygen. Pyrolysis can be called a reverse polymerization process, thermal depolymerization or polymer cracking. One of the advantages of the pyrolysis process is that it can treat wastes, which they are difficult to recycle, so they can produce products that can be reused (Scheirs and Kaminsky, 2006). The results of pyrolysis are in the form of three types of products namely solids (charcoal /carbon), gas (fuel gas) and liquid (13) (oil). And generally, the pyrolysis process takes place at temperatures above 300 °C within 4-7 hours. But this situation is very dependent on raw materials and how they are made (Demirbas, 2005).

The process of making activated carbon consists of three stages, which are:

1. Dehydration, is a process of removing water from the raw material when it is heated to a temperature of 170 °C
2. Carbonization, is the process of breaking down organic materials into carbon with temperatures used above 170 °C will produce CO and CO<sub>2</sub>, while at 275°C, decomposition produces ash, methanol and other by products, but the formation of carbon occurs at temperatures 400-600 °C.
3. Activation occurs through carbon decomposition and expansion of pores can be done with steam or CO<sub>2</sub> as an activator. (Arsyad & Hamdi., 2010).

### QUALITY STANDARD OF ACTIVATED CARBON

Activated carbon that have functions as an adsorbent certainly has parameters for the activated carbon material produced, such as; has microporous structure, has large surface area, etc. Table 1 show the standard requirements of activated carbon.

**Table 1.** Properties of Activated Carbon

No	Description	Unit	Requirements	
			Granular	Powder
1	The lost part on heating 950°C	%	Max 15	Max 25
2	Water	%	Max 4,4	Max 15
3	Ash	%	Max 2,5	Max 10
4	Non-carbonated	-	There's no	There's no
5	Adsorption of I <sub>2</sub>	Mg/g	Min. 750	Min 750
6	Pure activated carbon,%	-	Min. 80	Min. 65
7	Adsorption od Benzene, %	-	Min. 25	-
8	Adsorption of metylen blue	Ml/g	Min. 60	Min. 120
9	Bulk density	g/ml	0,45-0,55	0,30-0,35
10	Passed 325% mesh size	-	-	Min. 90
11	Mesh distance , %	-	90	-
12	Violence, %	-	80	-

### PROCESS OF ACTIVATION

The carbon after pyrolysis does not have a large adsorption capacity because the pore structure does not develop, the pore structure will be improved during the activation process. The activation process aims to convert carbon to activated carbon which has a large number of pores that are randomly distributed in various shapes and sizes and result in a wide surface area. There are 3 types of activation processes, including physical process, chemical process, and physical - chemical process.

**Table 2.** Activator used by researchers.

Aktivation	Activator	Source
Chemical	ZnCl <sub>2</sub> dan CaCl <sub>2</sub>	Jamilatun & Setyawan, 2014
	NaCl, NaOH, HCl	Hartanto & Ratnawati, 2010
	HCl dan NaOH	Karyani & Malakauseya, 2014
	H <sub>3</sub> PO <sub>4</sub>	Kumiati,2008
	NaCl, NaOH, H <sub>2</sub> SO <sub>4</sub>	Setiawati & Suroto,2010
	KOH	Atmayudha,2007
Physical	Gas CO <sub>2</sub>	Ibrahim <i>et al.</i> , 2014
	Gas H <sub>3</sub> PO <sub>4</sub>	Hendra <i>et al.</i> , 2015
	ZnCl <sub>2</sub> , Na <sub>2</sub> CO <sub>3</sub> & Gas N <sub>2</sub>	Pambayun,2013
Chemical - Physical	NaOH dan O <sub>2</sub>	(Aryani <i>et al.</i> , 2019)

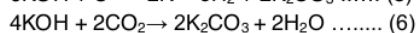
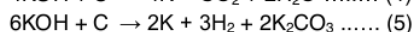
a. Physical Activation

The process of breaking the carbon chains of organic compounds with the help of heat, steam and CO<sub>2</sub>. In physical activation carbon is

usually heated in a furnace at a temperature of 800 - 900°C. Oxidation with air at low temperatures is an exothermic reaction so it is difficult to control it. While heating with steam or CO<sub>2</sub> at high temperatures is an endothermic reaction so it is easier to control and most commonly used (Arsyad & Hamdi., 2010).

b. Chemical Activation

Chemical activation is the process of breaking the carbon chains of organic compounds by the use of chemicals. Some of the advantages of chemical activation over physical activation are that the chemical activation process makes it possible to produce a very high surface area of activated carbon. Activators used are chemicals such as alkali metal hydroxides, carbonate salts, chlorides, sulfates, phosphates from alkaline earth metals especially ZnCl<sub>2</sub>, inorganic acids such as H<sub>2</sub>SO<sub>4</sub> and H<sub>3</sub>PO<sub>4</sub> (Udyani, 2019). The following is an example of a chemical reaction that occurs in the process of making activated carbon using KOH as an activator:



The following is an example of a chemical reaction that occurs in KOH added to carbon which will spread throughout the carbon surface, causing partial oxidation of carbon by oxygen. (Yuliusman, 2016)

c. Physicals – Chemical Activation

This activation is a combination of chemical activation and physical activation. Activation of activated carbon is carried out combustion with a certain temperature until it becomes carbon then soaked with chemical solution until it becomes activated carbon.

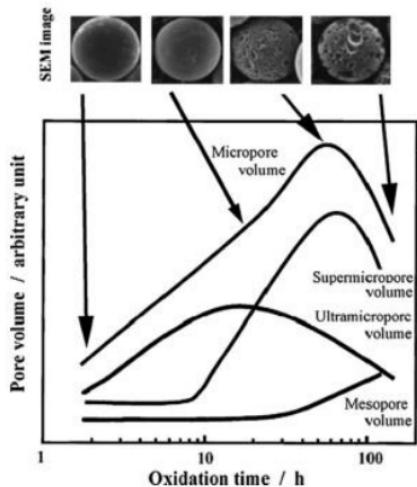
### ACTIVATED CARBONS

Activated carbons is indicated by a large number of open pores on the carbon form. This is usually indicated by surface area and pore size distribution (Marsh and Rodriguez-Reinoso, 2006). Activated carbon is mostly used as an adsorbent, so pore texture is the most important thing to be controlled. To develop a micropores with a width of less than 2 nm, a process called an activation process is needed.

Activation process can be carried out physically (gas activation, e.g., diluted oxygen gas, air, steam, CO<sub>2</sub>, etc.) and chemical activation using H<sub>3</sub>PO<sub>4</sub>, ZnCl<sub>2</sub>, KOH, etc. (Inagaki, 2013). During the gas

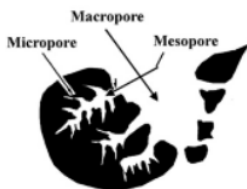


activation process, the size of the pores changes from micropores to mesopores and finally become macropores. Figure 2 shows the changes in pore size during air activation of glass-like carbon spheres (Adapted from references Inagaki, 2013 and Inagaki *et al.*, 2006).



**Figure 2.** Pore development during gas activation on glass-like carbon sphere (Adapted from references Inagaki, 2013 and Inagaki *et al.*, 2006)

The structure of activated carbon pores is shown in Figure 3 (adapted from reference Inagaki, 2013), where macropores (width > 50 nm) and mesopores usually are coexisted with micropores.



**Figure 3.** Model of pore structure (Adapted from reference Inagaki, 2013)

Activation of carbon using the impregnation method with the addition of activators  $ZnCl_2$ ,  $KOH$ , and  $H_3PO_4$  has been reported by Esterlita and Herlina (2015). A comparison between carbon activations using activators and without activator is shown in Figure 4 (adapted from reference Esterlita and Herlina, 2015).

In Figure 4 shows that the activation of carbon using several activators produces black activated carbon. Carbon colors without activators tend to be gray. This is caused by the amount of ash contained on the carbon produced.

## THE USE OF ACTIVATED CARBON

Activated carbon is used in various fields, including:

### 1. Industry

More than 70% activated carbon products are used in the industrial sector. The main uses of activated carbon are for purification of solutions, such as the sugar industry, syrup, drinking water, vegetables, fats, oils, alcoholic beverages, chemicals and pharmaceuticals; absorbent poison gas in the mask; deodorizing in refrigeration systems; absorbers of fuel vapor emissions in the automotive as well as cigarette filters.

### 2. Health

In the health sector, activated carbon is used in the treatment of external poisoning and secretion diarrhea therapy. In oral poisoning, to avoid the absorption of a number of poisons that still exist in the digestive tract can be done by giving adsorbents. The most effective and less dangerous adsorbent so that the most widely used is activated carbon.

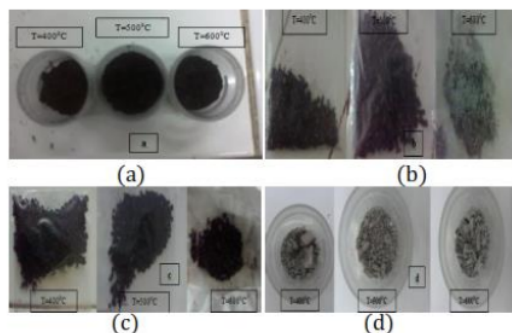
### 3. Environment

Kadirvelu *et al.*, (2001) have proven the ability of activated carbon as an adsorbent for Hg, Pb, Cd, Ni, Cu metals in industrial wastewater in radiators, nickel plating and copper coatings. The ability of activated carbon as a metal remover is influenced by the pH and carbon concentration. An increase in carbon content increases the percent adsorption of activated carbon to metal ions. The use of activated carbon is very important in the process of purifying water and air. In the water purification process, activated carbon in addition to adsorbing metals such as iron, copper, nickel also can eliminate odors, colors and flavors found in a solution or wastewater. In some countries activated carbon is reported to have been used as an absorber of pesticide residues in the water purification process to get pesticide-free drinking water.

## ACTIVATOR COMPARISON

In the research of Jamilatun & Setyawan (2014) activating activated carbon using  $ZnCl_2$  and  $CaCl_2$  compounds obtained the best quality of activated carbon was obtained at  $800^\circ C$  with a moisture content of 1.3%, ash content of 0.60% met SNI 0258-79 standards and had absorption of iodine levels of 580.0 mg/g that meets SNI 06-3730 standards. In Hartanto and Ratnawati (2010) research activating carbon using  $NaCl$ ,  $NaOH$ ,  $HCl$  compounds, the results of which are activated charcoal with the best characteristics are  $NaOH$

activator for 4 hours, with the result that the water content of activated carbon is 3.6%, absorption of I<sub>2</sub> is 851, 8797 mg/g and these results are in accordance with SNI. In Karyani & Malakuseya research (2014) activating carbon using HCl and NaOH compounds, the results of which were missing parts of 10.02%, water content of 2.91%, ash content of 1.10% and absorption of I<sub>2</sub> solution is 800 mg / g.



**Figure 4.** Activated carbon using an activator: (a) KOH, (b) ZnCl<sub>2</sub>, and (c) H<sub>3</sub>PO<sub>4</sub>, (d) carbon without activator (adapted from reference Esterlita and Herlina, 2015).

Kurniati (2008) reported that to activate carbon using H<sub>3</sub>PO<sub>4</sub> obtained the best condition at 22 hours immersion with 9% activator concentration, with the results: Moisture content; 7.36%, ash content; 2.77%, Volatile Matter; 8.21%, Iodine absorption 19.80%. In the research of Setiawati & Suroto (2010) activating carbon using NaCl, NaOH, H<sub>2</sub>SO<sub>4</sub> compounds, the best quality of activated carbon was obtained from NaCl concentration of 20% with characters in the form of water content of 4.88%, ash content of 3.54%, the part lost on heating 950<sup>0</sup>C 14.63%, and the absorption of iodine 761.07 mg / g. In Atmayudha's research (2007) activated carbon using KOH compound, the results were surface area of 111.9 m<sup>2</sup> /g, total pore volume of 0.03013 cm<sup>3</sup>/g, average pore diameter of 80.8. In the Zulkifli *et al.*, (2015) study activating carbon using KOH compounds, the results obtained are coconut shell activated carbon which has an amorphous structure marked by the formation of two sloping peaks at an angle of 2θ = 23.586° and 44.203° at the concentration of 1 M KOH activating agent, while at concentrations with activating agents 3 M KOH angles of 2θ = 24,659° and 45,438°.

As mentioned above, there are 2 kinds of carbonization process, as called; the carbonization process and pyrolysis or thermal processes. The advantage of this thermal process is that it uses a

pyrolysis process which is much simpler in operation and cheaper than other processes and can use raw materials that are less expensive and environmentally friendly. While the disadvantage of this process is controlling the oxygen supplied to the furnace / kiln. As for the activated carbon activation process, there are 3 kinds of processes including physical, chemical, and physical-chemical activation. The advantage of the chemical activation process is that it is easier than others, first by soaking / stirring for several hours, then the second chemical compound used as an activator is easy to obtain. The last benefit is the one of the chemical compounds such as ZnCl<sub>2</sub> acts as an inhibitor of carbon formation, and the equipment used is easily assembled.

### CONCLUSION

Based on discussion above about the various methods of chemical activation, it seems that the promising activator for activated carbon is Phosphoric Acid (H<sub>3</sub>PO<sub>4</sub>). There are some benefits of using Phosphoric Acid. Firstly, H<sub>3</sub>PO<sub>4</sub> activator can produce activated carbon which has a maximum micropore at operating conditions <450<sup>0</sup>C with a weight percent ratio between activator and sample around 29 - 52%. Secondly, because H<sub>3</sub>PO<sub>4</sub> is liquid with a solubility of 5.48 g / ml than ZnCl<sub>2</sub> which has a solubility of 4.32 g / ml. Thirdly, the price of H<sub>3</sub>PO<sub>4</sub> is cheaper, so it is more economical.

### REFERENCES

- Arsyad, Effendi., Hamdi, Saibatul. 2010. Teknologi Pengolahan Dan Pemanfaatan Karbon Aktif Untuk Industri. *Jurnal Riset Industri Hasil Hutan*. 2(2): 43–51.
- Aryani Farida, Mardiana Fina, Wartomo, W. 2019. Aplikasi Metode Aktivasi Fisika Dan Aktivasi Kimia Pada Pembuatan Karbon Aktif Dari Tempurung Kelapa (Cocos Nucifera L). *Indonesian Journal of Laboratory*. 1(2): 16–20.
- Atmayudha, Ardhana. 2007. Pembuatan karbon aktif berbahan dasar tempurung kelapa dengan perlakuan aktivasi terkontrol serta uji kinerjanya. [Thesis]. Universitas Indonesia, Jakarta. [Indonesia].
- Demirbas, A. 2005. Pyrolysis of ground beech wood in irregular heating rate conditions. *Journal of Analytical and Applied Pyrolysis* 73(1): 39–43. DOI: <http://dx.doi.org/10.1016/j.jaa.2004.04.002>
- Erliyanti, NK., Sangian, HF., Susianto, S., Altway, A. 2015. The Preparation of Fixed Carbon Derived From Waste Tyre Using Pyrolysis. *Scientific Study & Research: Chemistry & Chemical Engineering, Biotechnology, Food Industry*.16(4): 343–352.

- Eskak, Edi. 2015. Identifikasi Pola Laminasi Tempurung Kelapa. *Dinamika Kerajinan dan Batik*. 32(2): 127–116.
- Esterlita, MO., Herlina, N. 2015. Pengaruh Penambahan Aktivator  $ZnCl_2$ , KOH, dan  $H_3PO_4$  dalam Pembuatan Karbon Aktif dari Pelepeh Aren (*Arenga pinnata*). *Jurnal Teknik Kimia USU*. 4(1): 47–52.
- Hartanto, Singgih., Ratnawati, R. 2010. Pembuatan Karbon Aktif Dari Tempurung Kelapa Sawit Dengan Metode Aktivasi Kimia. *Jurnal Sains Materi Indonesia*. 12(1): 12–16. DOI: <http://dx.doi.org/10.17146/jsmi.2010.12.1.4588>
- Hendra, D., Wulanawati, A., Gustina, K., Wibisono, HS. 2015. Utilization of Activated Charcoal Made of Bintaro's Fruit Shell (*Cerbera manghas*) as an Adsorbent to Improve Water Quality. *Jurnal Penelitian Hasil Hutan*. 33(3): 181-191.
- Ibrahim., Martin, A., Nasruddin. 2014. Pembuatan dan karakterisasi karbon aktif berbahan dasar cangkang sawit dengan metode aktivasi fisika menggunakan rotary autoclave. *JOM FTEKNIK*. 1(2): 1–11.
- Inagaki, M. 2013. Advanced Carbon Materials. In: Somiya, Shigeyuki. (2<sup>nd</sup> edition), Handbook of Advanced Ceramics Materials, Applications, Processing, and Properties. Academic Press/Elsevier Oxford, UK.. pp. 25–60. DOI: <https://doi.org/10.1016/B978-0-12-385469-8.00002-2>
- Inagaki, M., Nishikawa, T., Oshida, K., Fukuyama, K., Hatakeyama, Y., Nishikawa, K. 2006. Air Oxidation of Carbon Spheres II. Micropore Development. *Ads Sci Tech*. 24(1): 55–64. DOI: <https://doi.org/10.1260/026361706778062522>
- Jamilatun, Siti., Setyawan, M. 2014. Pembuatan Karbon Aktif dari Tempurung Kelapa dan Aplikasinya untuk Penjernihan Asap Cair. *Spektrum Industri*. 12(1): 1–12.
- Kadirvelu K., Thamaraiselvi, K., Namasivayam, C. 2001. Removal of heavy metals from industrial wastewaters by adsorption onto activated carbon prepared from an agricultural solid waste. *Bioresource Technology*. 76: 63–65. DOI: <http://dx.doi.org/10.12928/si.v12i1.1651>
- Karyani, MS., Malakuseya, JJ. 2014. Kemampuan adsorpsi karbon aktif tempurung kelapa dalam menurunkan kadar logam besi dalam air sumur galian Desa Batu Merah Kota Ambon. *BIMAFIKA*. 11: 700-708.
- Kurniati, E. 2008. Pemanfaatan cangkang Kelapa Sawit sebagai arang aktif. *Jurnal Penelitian Ilmu Teknik*. 8(2): 96-103.
- Leung, D.Y.C., Yin, X.L., Zhao, Z.L., Xu, B.Y., Chen, Y. 2002. Pyrolysis of Tyre Powder: Influence of Operation Variables on The Composition and Yields of Gaseous Product. *Fuel Processing Technology*. 79(2): 141–155. DOI: [https://doi.org/10.1016/S0378-3820\(02\)00109-1](https://doi.org/10.1016/S0378-3820(02)00109-1)
- Marsh, H., Rodriguez-Reinoso, F. 2006. Activated Carbon Elsevier Science & Technology Books. 536 pp. DOI: <https://doi.org/10.1016/B978-008044463-5/50016-9>
- Pantea, D., Darmstadt, H., Kaliaguine, S., Roy, C. 2003. Heat-Treatment of Carbon Black Obtained by Pyrolysis of Used Tires. Effect on The Surface Chemistry, Porosity and Electrical Conductivity. *Journal of Analytical and Applied Pyrolysis*, 67(1): 55–76. DOI: [https://doi.org/10.1016/S0165-2370\(02\)00017-7](https://doi.org/10.1016/S0165-2370(02)00017-7)
- Pambayun, GS., Yulianto RYE., Rachimoellah M., Putri EMM. 2013. Pembuatan karbon aktif dari arang tempurung kelapa dengan aktivator  $ZnCl_2$  dan  $Na_2CO_3$  sebagai adsorben untuk mengurangi kadar fenol dalam air limbah". *Jurnal Teknik POMITS* Vol. 2(1): 116–120. DOI: <https://doi.org/10.12962/j23373539.v2i1.2437>
- Sani. 2011. Pembuatan Karbon Aktif Dari Tanah Gambut. *Jurnal Teknik Kimia*. 5(2): 400-406.
- Scheirs, J., and Kaminsky, W., Editors. 2006. Feedstock Recycling and Pyrolysis of Waste Plastics: Converting Waste Plastics into Diesel and Other Fuels. John Wiley & Sons. West Sussex. UK. DOI: <https://doi.org/10.1002/0470021543>
- Setiawati, E., Suroto. 2010. Pengaruh bahan activator pada pembuatan karbon aktif tempurung kelapa. *Jurnal Riset Industri Hasil Hutan*. 2(1): 21 – 26
- Udyani, Kartika. 2019. Pembuatan Karbon Aktif Dari Karbon Bakau Menggunakan Gabungan Aktivasi Kimia dan Fisika Dengan Microwave. *Jurnal IPTEK*. 23 (1): 39–46 DOI: <https://doi.org/10.31284/j.iptek.2019.v23i1.479>
- Yuliusman. 2016. Pembuatan Karbon Aktif Dari Tempurung Kelapa Melalui Aktifasi Kimia Dengan Koh dan Fisika Dengan  $Co_2$ . Proceeding of Seminar Nasional Teknik Kimia Soebardjo Brotohardjono XII, Program Studi Teknik Kimia UPN "Veteran" Surabaya, Jawa Timur. 1 Juni 2016. [Indonesia].
- Zulkifli., Taer, Erman., Sugianto. 2015. Pembuatan karbon aktif monolit dari kayu karet menggunakan aktivator koh dan  $hno_3$  untuk aplikasi superkapasitor. *JOM FMIPA*. 2(1): 1–7.



# 18. The Process of Activated Carbon from Coconut Shells Through Chemical Activation

## ORIGINALITY REPORT

18%

SIMILARITY INDEX

%

INTERNET SOURCES

%

PUBLICATIONS

18%

STUDENT PAPERS

## PRIMARY SOURCES

1	Submitted to International Islamic University Malaysia Student Paper	2%
2	Submitted to UIN Sunan Ampel Surabaya Student Paper	1%
3	Submitted to Cranfield University Student Paper	1%
4	Submitted to iGroup Student Paper	1%
5	Submitted to Durban University of Technology Student Paper	1%
6	Submitted to Universitas Riau Student Paper	1%
7	Submitted to State Islamic University of Alauddin Makassar Student Paper	1%
8	Submitted to Universitas Hasanuddin Student Paper	1%

9	Submitted to Universitas Islam Indonesia Student Paper	1 %
10	Submitted to UPN Veteran Jawa Timur Student Paper	1 %
11	Submitted to University of Sheffield Student Paper	1 %
12	Submitted to Universitas Muhammadiyah Surakarta Student Paper	1 %
13	Submitted to Universitas Nasional Student Paper	1 %
14	Submitted to Sheffield Hallam University Student Paper	1 %
15	Submitted to Universidad Estadual Paulista Student Paper	1 %
16	Submitted to University of Warwick Student Paper	1 %
17	Submitted to Universitas Diponegoro Student Paper	1 %
18	Submitted to Syiah Kuala University Student Paper	<1 %
19	Submitted to Surabaya University Student Paper	<1 %
20	Submitted to Universitas Jenderal Soedirman Student Paper	

<1 %

21

Submitted to Universitas Brawijaya

Student Paper

<1 %

22

Submitted to Universitas Negeri Surabaya The  
State University of Surabaya

Student Paper

<1 %

23

Submitted to Queen's University of Belfast

Student Paper

<1 %

24

Submitted to University of Malaya

Student Paper

<1 %

Exclude quotes Off

Exclude matches Off

Exclude bibliography Off